

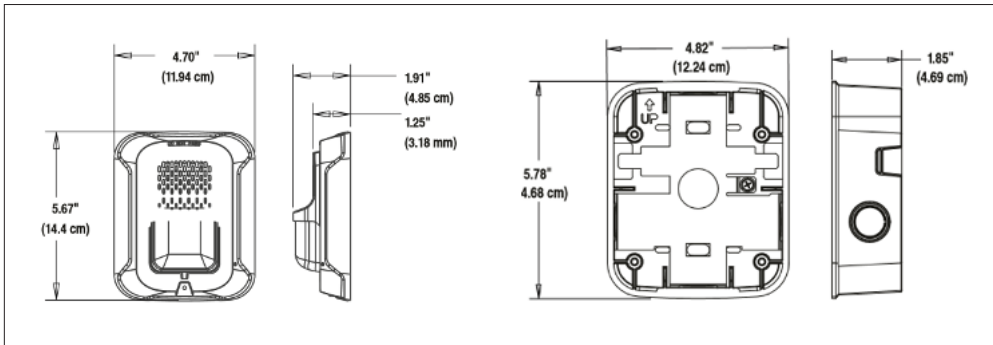
HORN AND STROBE ALARM: -STROBE (D1000)

SPECIFICATIONS

Voltage	24 DC
Weight	2.4 lbs
Length	4.82 in
Depth	3.77 in
Height	5.78 in
Material	Plastic
Mounting Configuration	Surface Mount or Flush Mount
Mounting height	See Local Codes
Approvals	UL, FM, State of California State Fire Marshal

Horn Output (dBA)			
Switch Position	Sound Pattern	dB Setting	dB
1	Temporal	High	89
2	Temporal	Low	83
3	Non-Temporal	High	90
4	Non-Temporal	Low	84
5	3.15 KHz Temporal	High	88
6	3.15 KHz Temporal	Low	82
7	3.15 KHz Non-Temporal	High	89
8	3.15 KHz Non-Temporal	Low	83

UNIT DIMENSIONS

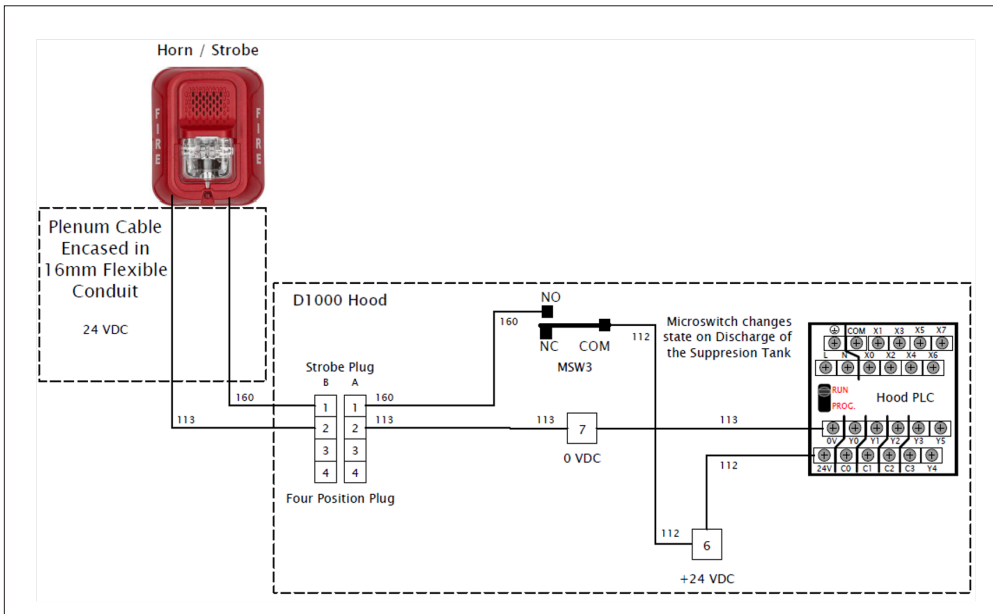


The Horn / Strobe shall be installed in accordance with local codes.

The 15' 18/4 Multi-Wire Plenum is encased in a 16 mm Plastic Spiral Flex ENT Conduit.

To attach to the Hood use the Plug 'N' Play Connector - 4 Position Male Connector.

SCHEMATIC



Light Output Vertical Dispersion - Wall to floor

Degrees	Percent of Rating
0	100
5 to 30	90
35	65
40	46
45	34
50	27
55	22
60	18
65	16
70	15
75	13
80	12
85	12
90	12

Light Output Horizontal Dispersion

Degrees	Percent of Rating
0	100
5 to 25	90
30 to 45	75
50	55
55	45
60	40
65	35
70	35
75	30
80	30
85	25
90	25
Compound 45 to the left	24
Compound 45 to the right	24