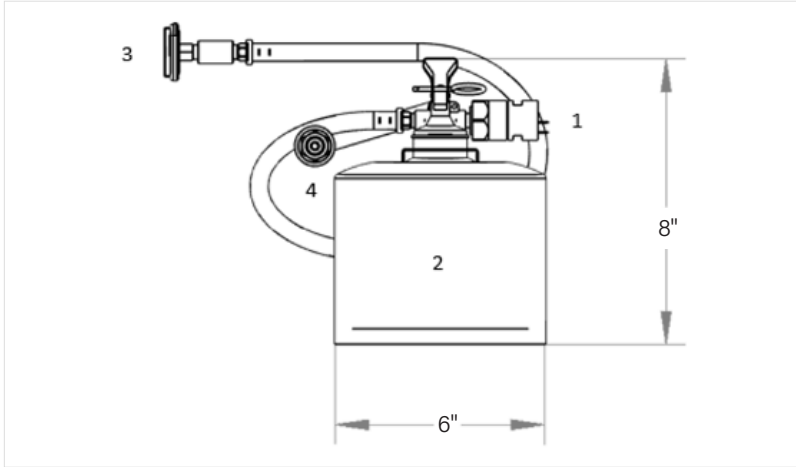


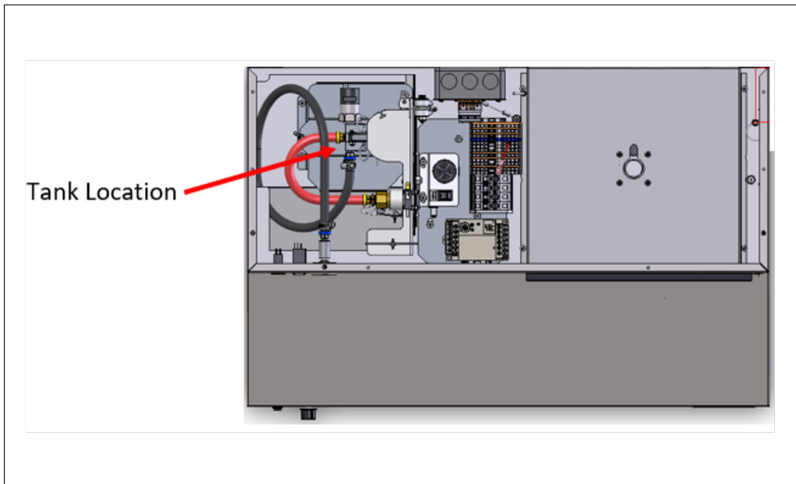
TEST TANK: -TANK-TEST/E (D1000)

UNIT DIMENSIONS



1	Tank is Equipped with a Pressure switch which opens on discharge.
2	Tank is of Stainless Steel - Red in Color.
3	Visual Pressure Gauge.
4	Discharge hose with Quick Connect fitting attached.
5	An Adapter is sent to Recharge and reuse the Tank.
6	Two Test Links are sent with the Tank.

TANK LOCATION



TANK-TEST SPECIFICATIONS

Type	Self Contained Fire Suppression System
Compliance	UL-1995
Mounting Configuration	Integral to Hood
Weight	4.2 lbs
Vessel	Painted Stainless Steel
Chemical Type	N/A
Volume	0
Chemical Weight	N/A
Pressure (PSI) +-8%	102 PSI
Height	8 in
Width	6 in

TANK-E SPECIFICATIONS

Type	Self Contained Fire Suppression System
Compliance	UL-1995
Mounting Configuration	Integral to Hood
Weight	4.2 lbs
Vessel	Painted Stainless Steel
Chemical Type	N/A
Volume	0
Chemical Weight	N/A
Pressure (PSI) +-8%	Charge to 102 PSI on site
Height	8 in
Width	6 in