

### BASE MODEL: D1030-D-WF

Job Name: \_\_\_\_\_ Date: \_\_\_\_\_ Mark: \_\_\_\_\_

Reference: \_\_\_\_\_ Unit Location: \_\_\_\_\_ Prepared By: \_\_\_\_\_

Engineer: \_\_\_\_\_ Contractor: \_\_\_\_\_ Approval: \_\_\_\_\_

Expected Job Date: \_\_\_\_\_ Notes: \_\_\_\_\_

#### MODEL FAN OPTIONS

Integral Fans:  **F** - Recirculating  **R** - Rear Discharging

Top Discharging External Fans:  **FBO** - Fan by Others Module  **IF** - Inline Fan  **RF** - Roof Mounted Fan  **WF** - Wall Mounted Fan

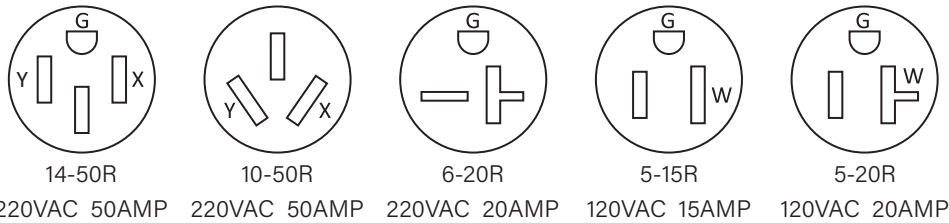
#### SELECT OPTIONAL ACCESSORIES

- |   |   |
|---|---|
| <input type="checkbox"/> <b>ADA</b> : ADA Fan/Light Control                                   | <input type="checkbox"/> <b>MACM</b> : Make-Up Air Control Module           |
| <input type="checkbox"/> <b>CLBX</b> : ClockBox   | <input type="checkbox"/> <b>LSC</b> : Limiting Speed Control Module         |
| <input type="checkbox"/> <b>CC</b> : Custom Color - (Stainless Standard) Specify Color: _____ | <input type="checkbox"/> <b>CLBX-PRO</b> : Clockbox Pro with integrated ADA |
| <input type="checkbox"/> <b>TANK-TEST</b> : Test Tank   | <input type="checkbox"/> <b>STROBE</b> : Horn and Light Strobe Alarm        |
| <input type="checkbox"/> <b>MPK</b> : Manual Pull Station                                     | <input type="checkbox"/> <b>PD4X</b> : Power Distribution Box               |
| <input type="checkbox"/> <b>D1030-TC-D</b> : Top Cover  |   |

#### RANGE FUEL SOURCE DISCONNECT OPTIONS (CHECK APPROPRIATE RECEPTACLE)

- |  |   |
|--|---|
| <input type="checkbox"/> <b>G</b> : 3/4" NPT Natural Gas (DED Needed if Electric Components Need to be Controlled on a Gas Range)                    | <input type="checkbox"/> <b>DED</b> : Dual Element (includes 3/4" NPT Natural Gas and Electric) -<br>○ 14-50R, 220VAC ○ 5-20R, 120VAC |
| <input checked="" type="checkbox"/> <b>E</b> : Electric -<br>○ 14-50R, 220VAC ○ 6-20R, 220VAC<br>○ 10-50R, 220VAC ○ 5-20R, 120VAC<br>○ 5-15R, 120VAC | <input type="checkbox"/> <b>DRD</b> : Dual Receptacle -<br>○ 6-20R, 220VAC ○ 5-15R, 120VAC ○ 5-20R, 120VAC                            |

#### ELECTRIC NEMA (RECEPTACLE) OPTIONS



#### REQUIREMENTS

Contact factory for any special circumstances

##### Hood shall:

- Be D1000 Series by DENLAR Fire Protection
- Be wall mounted so that the bottom of the mounting bracket sits 24" to 30" above the range
- Be of stainless-steel construction (#18 & #20 GA, polished 304) with no sharp edges and brushed finish
- Have factory installed fire suppression system
- Have 212° F degree fusible link (30") which will activate the mechanical fire suppression system
- Have wet chemical extinguishing agent: Low PH Amerex 660 (pressurized potassium citrate / potassium acetate mix)
- Have centrifugal fan with air delivery
- Be ETL listed, tested to UL300A standard
- Fan motor shall be permanently lubricated and meet UL507 standard
- Include a power disconnect for gas and/or electric appliances, deactivated at suppression system discharge
- Automatically disconnect range element once a certain pre-set temperature is reached or under particular predefined events or conditions
- Unit shall have multiple alarm contacts pre-installed (local, remote and trouble alarms) and an audible buzzer
- Lighting shall be by LED bulb

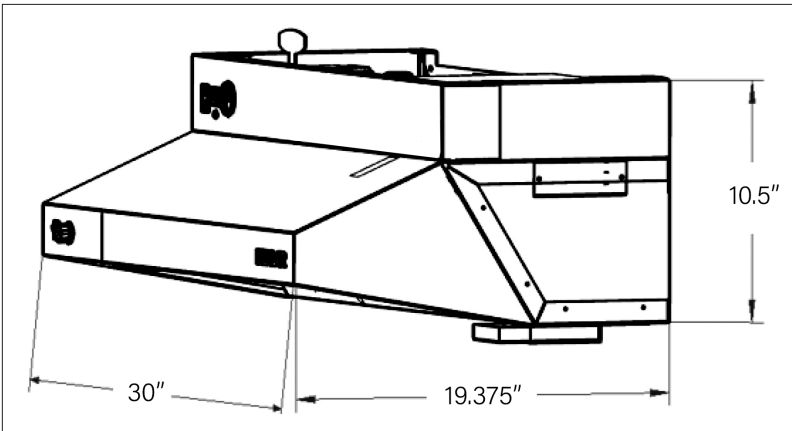
**BASE MODEL: D1030-D-WF**



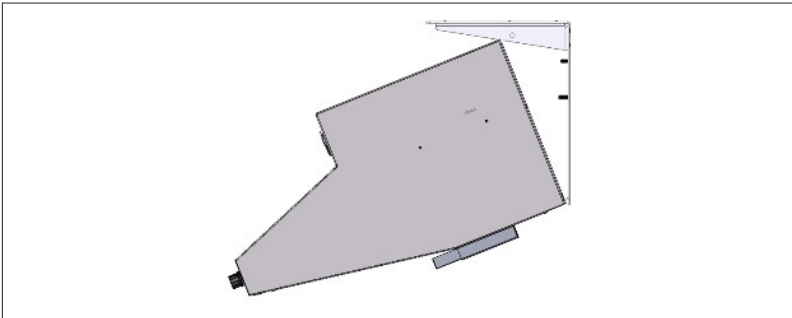
**GENERAL FEATURES**

- ETL/CSA listed
- 304 Brushed Stainless Steel
- Fail-Safe mechanical actuation
- Two step pre-suppression
- Plenum nozzle
- Main power switch and reset switch
- Service switch
- Pressure switch
- Pressure gauge
- Temperature switches
- Hard wired fuel source disconnect
- Dry alarm contacts
- On board diagnostics
- Status LED
- Trouble signal
- Service key
- Audible buzzer (90db)
- LED bulb
- Grease baffle with drip tray

**UNIT DIMENSIONS**



**REQUIRED FOR ALL MODELS**



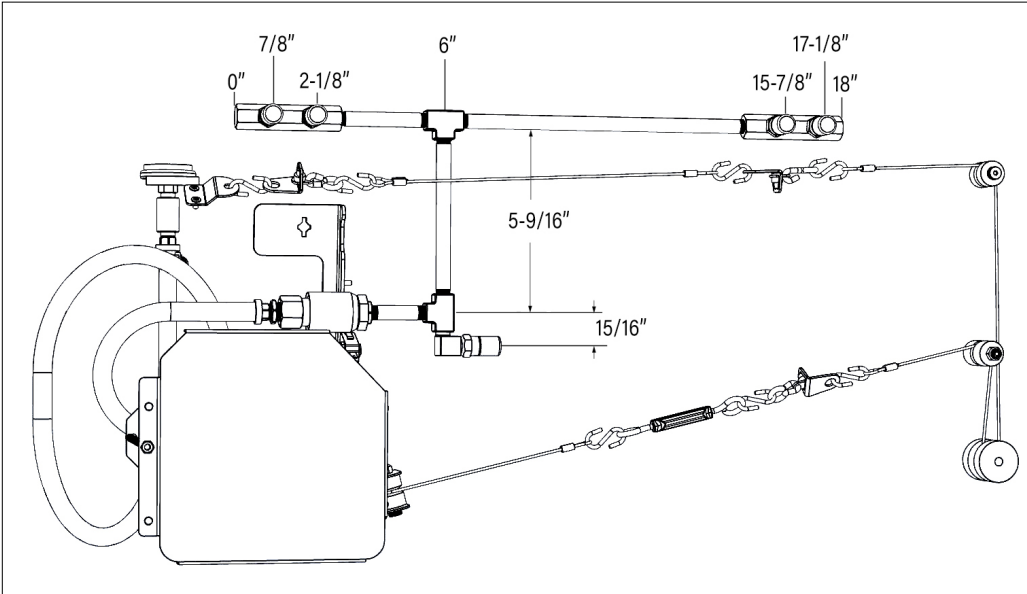
The main unit requires clearance to tilt to a 45° degree angle for maintenance purposes

**SPECIFICATIONS**

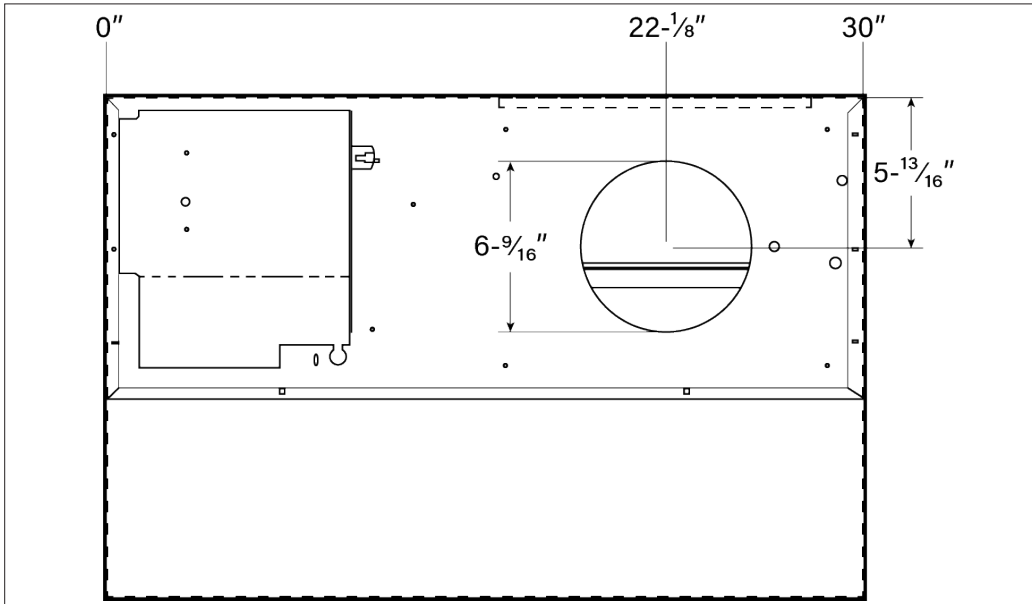
|   |                                    |
|---|------------------------------------|
| <b>Compliance</b>   | UL300A, NSF, UL507                 |
| <b>Weight</b>   | 53.4 lbs                           |
| <b>Mounting Configuration</b>   | Wall                               |
| <b>Min / Max Install Height Above Top of Residential Range / Cook Top</b> | 24" - 30"                          |
| <b>Voltage</b>  | 120 AC                             |
| <b>Phase</b>  | 1                                  |
| <b>Hz</b>   | 60 Hz                              |
| <b>Amps</b>   | 3.15 Amps                          |
| <b>Circuit breaker size</b>   | 15-20 Amps                         |
| <b>Operating Current</b>  | 1.38 Amps                          |
| <b>Fan Operating Current</b>  | 0.87 Amps                          |
| <b>Output Operating Current</b>   | 0.25 to 0.5 Amps                   |
| <b>Input Wiring</b>   | Power Cord                         |
| <b>Output Wiring</b>  | 14/2 MC Wire                       |
| <b>Fan Type</b>   | Wall Mounted Fan (Fan is External) |
| <b>MOCP</b>   | 15 Amps                            |
| <b>Duct Type</b>  | See Local Codes                    |
| <b>Fire Control</b>   | Programmable Logic Controller      |
| <b>Tank Type</b>  | Stainless Steel                    |
| <b>Tank Pressure</b>  | 102+ -8% Psi                       |
| <b>Tank Volume</b>  | 1300 mL                            |
| <b>Suppression Agent</b>  | Low pH Wet Chemical Amerex 660     |
| <b>No. of Nozzles / Spray</b>   | 5 / 60 Degree Conical              |
| <b>Protection Device / Limit</b>  | 3 Globe Links / 212° F             |

**BASE MODEL: D1030-D-WF**

**NOZZLE PLACEMENT**

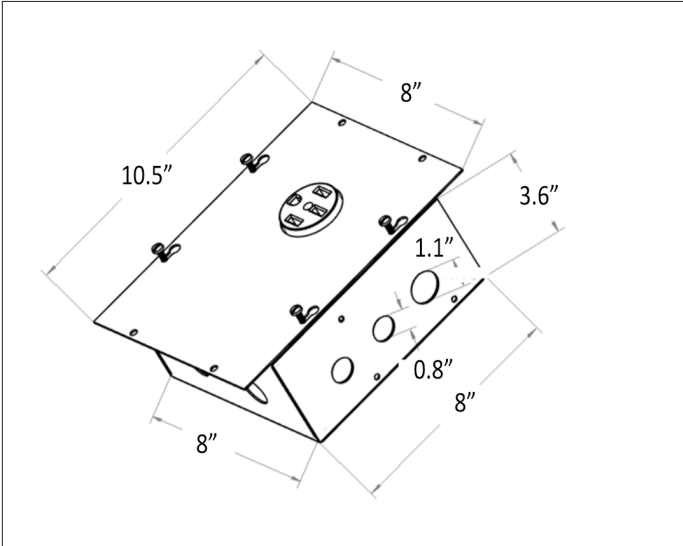


**TOP DUCTED EXHAUST**



# ELECTRIC STOVE POWER SOURCE DISCONNECT: -E (D1000)

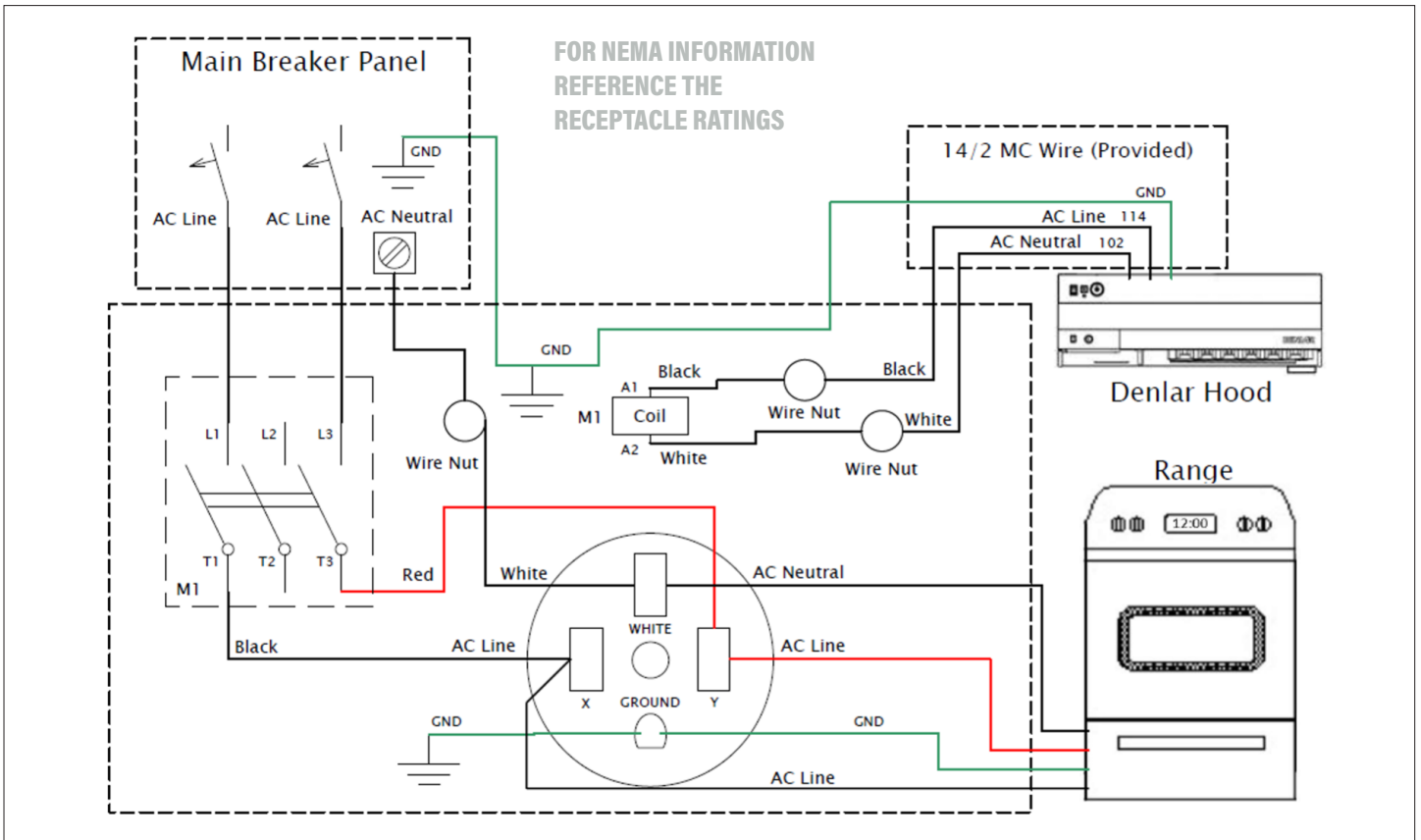
## ELECTRIC RECEPTACLE DIMENSIONS



## SPECIFICATIONS

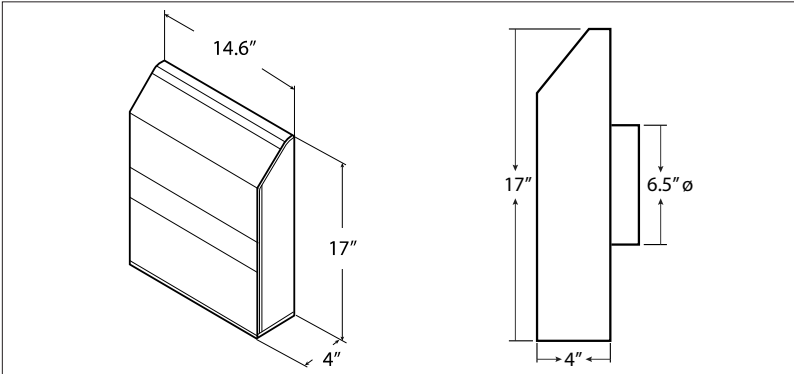
| Models            | -E-220 14-50           | -E-220 10-50 | -E 220 6-20 | -E-120 5-20 | -E-120 5-15 |
|-------------------|------------------------|--------------|-------------|-------------|-------------|
| Weight            | 5.4 lbs.               |              |             |             |             |
| NEMA              | 14-50R                 | 10-50R       | 6-20R       | 5-20R       | 5-15R       |
| Output Volts      | 220 AC                 | 220 AC       | 220 AC      | 120 AC      | 120 AC      |
| Output Current    | 50 Amps                | 50 Amps      | 20 Amps     | 20 Amps     | 15 Amps     |
| Coil Voltage      | 120                    |              |             |             |             |
| Phase             | 1                      |              |             |             |             |
| Frequency         | 60 Hz                  |              |             |             |             |
| Fuse              | 0.5 Amps               |              |             |             |             |
| Fuse Type         | 5 X 20mm Cartridge     |              |             |             |             |
| Operating Current | 0.25 Amps              |              |             |             |             |
| Material          | Galvanized             |              |             |             |             |
| Mounting Type     | Surface or flush mount |              |             |             |             |
| Mounting Height   | See local codes        |              |             |             |             |

## SCHEMATIC



# FAN: -D-WF (D1000) 30"

## STANDARD WALL MOUNT DIMENSIONS

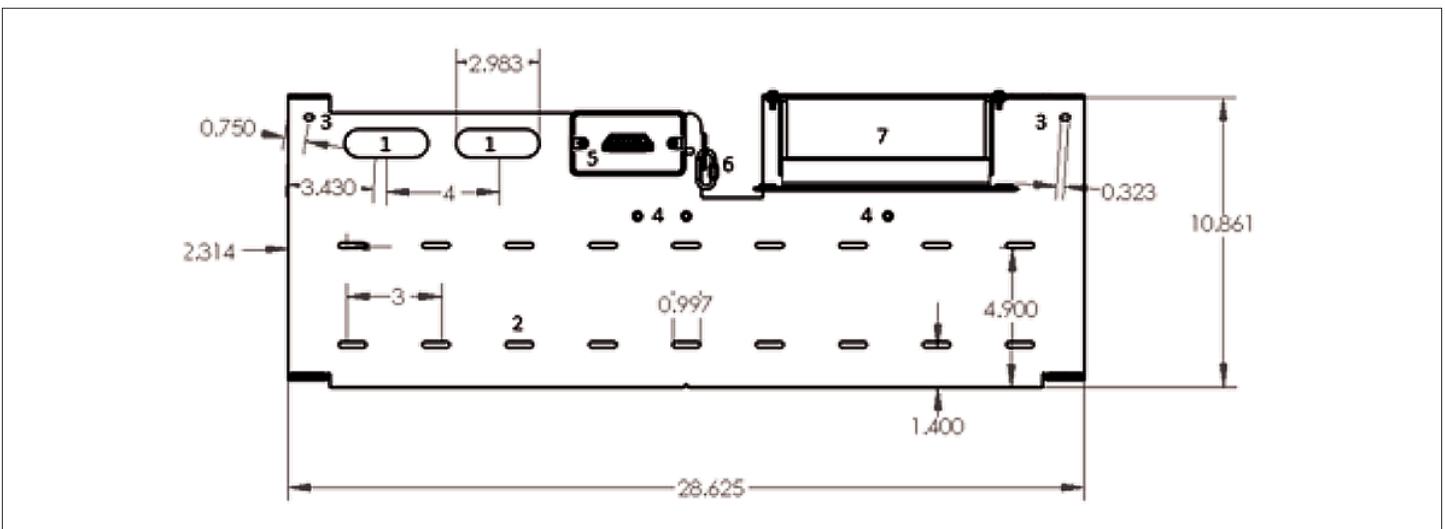


## SPECIFICATIONS

|                             |                                 |
|-----------------------------|---------------------------------|
| Style                       | Wall Mount                      |
| Type                        | External Wall Ducted            |
| Weight                      | 13.5 lbs                        |
| Operating Current           | 0.8 Amps                        |
| Voltage                     | 120 AC                          |
| Phase                       | 1                               |
| Frequency                   | 60 Hz                           |
| CFM + -2.5% (Low-High)      | 208 - 281                       |
| Pressure (In Water)         | -0.14 - -0.28                   |
| dB(A) (Low-High)            | 56 - 60                         |
| Hood Outlet (Length-Height) | 7 in (Dia)                      |
| Duct                        | 35 ft                           |
| Fan Inlet                   | 6.5 in (Dia)                    |
| Fan Outlet                  | 14 in x 3 in                    |
| Control                     | Electronic Control Module (ECM) |
| Speeds                      | Variable                        |

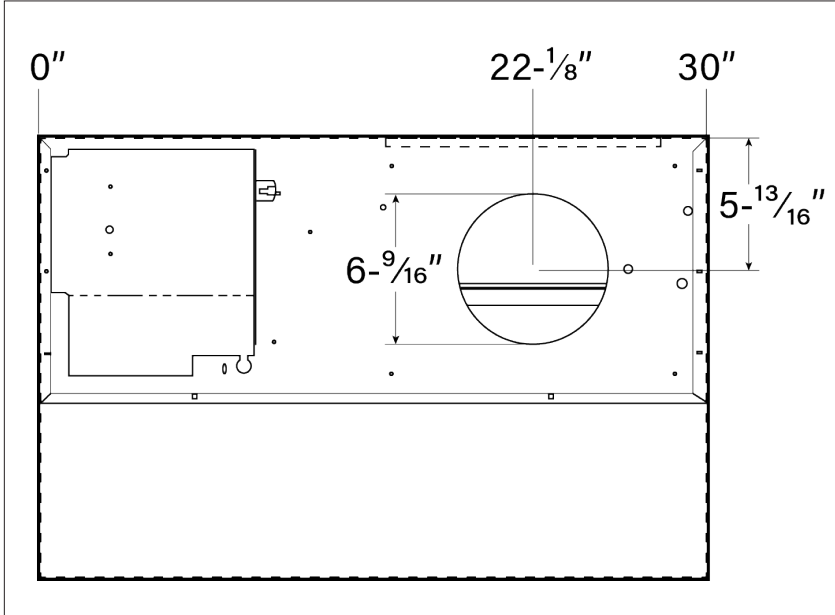
| D1000-BPSI Layout |   |
|-------------------|---|
| 1                 | Cut-outs for Wire Entry   |
| 2                 | Mounting Holes  |
| 3                 | Top Mounting Holes  |
| 4                 | 1/4-20 Studs for Securing Hoods to D1000-BPSI   |
| 5                 | Handy box for Power In and Power Out  |
| 6                 | Quick Link Safety Cable Holder  |
| 7                 | Collar to Attach Duct Work (7" Dia. X 1" Height)<br>(A Minimum of 6" length of 7" Dia. Duct is required before connecting an Increaser/Adapter) |

## TOP DISCHARGING MOUNTING BRACKET (D1000-BPSI)

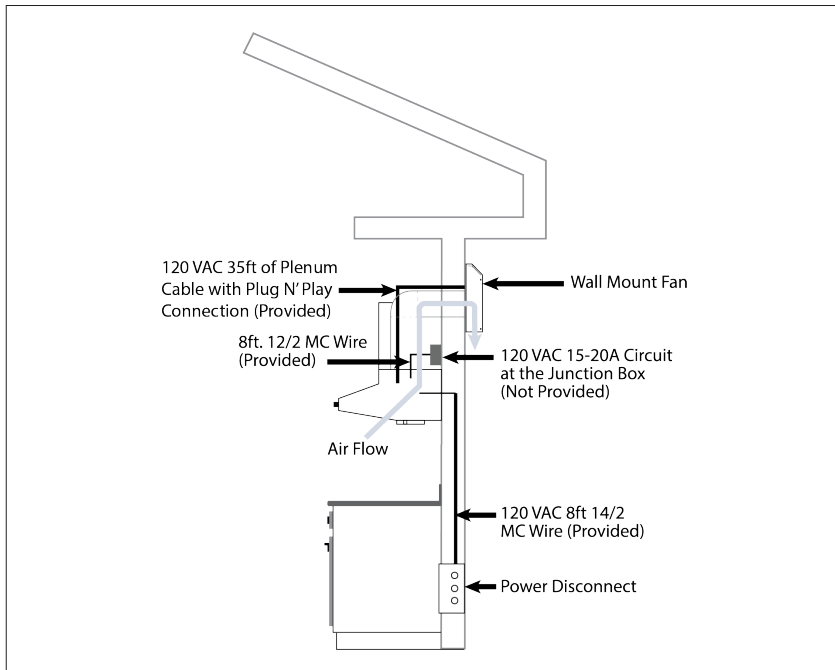


**FAN: -D-WF (D1000) 30"**

**DUCT LOCATION**

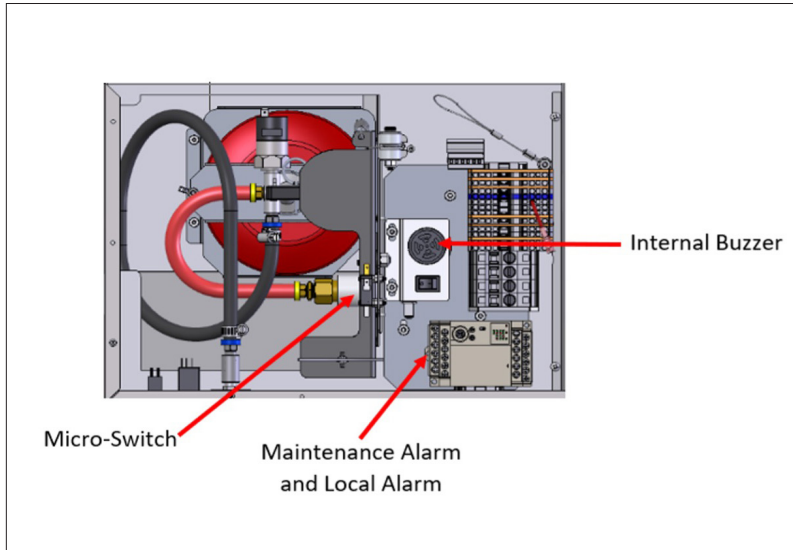


**SAMPLE EXHAUST LAYOUT**



# ALARM: INTEGRATED TO D1000

## ALARM LOCATION



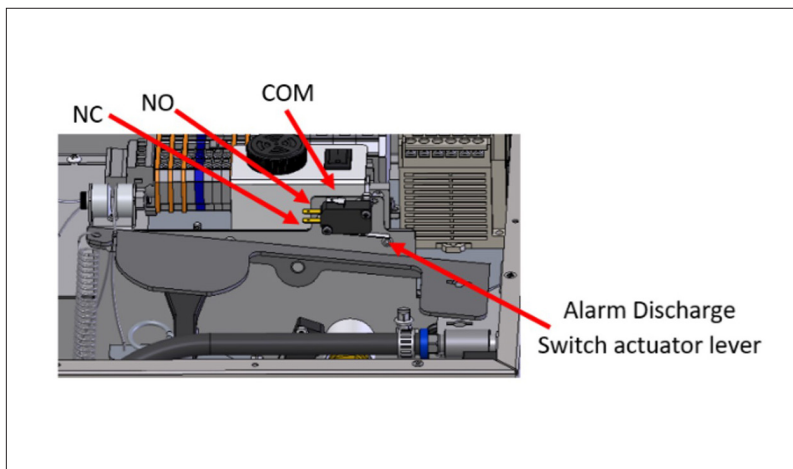
## INTERNAL BUZZER SPECIFICATIONS

|                |   |
|----------------|---|
| Type           | Audible   |
| Decibels       | 90  |
| Location       | Top center of main unit   |
| Activates upon | Tank discharge hose disconnected, low pressure in tank, or high temp fault (190° F at hood) |

## MAINTENANCE ALARM SPECIFICATIONS

|                  |   |
|------------------|---|
| Type             | Dry Contact   |
| Type of Contacts | Com / NO  |
| Contact Amperage | 5 Amps  |
| Location         | PLC contacts C0 and Y0  |
| Activates upon   | Tank discharge hose disconnected, low pressure in tank, or high temp fault (190° F at hood) |

## MICRO-SWITCH LAYOUT



## LOCAL ALARM SPECIFICATIONS

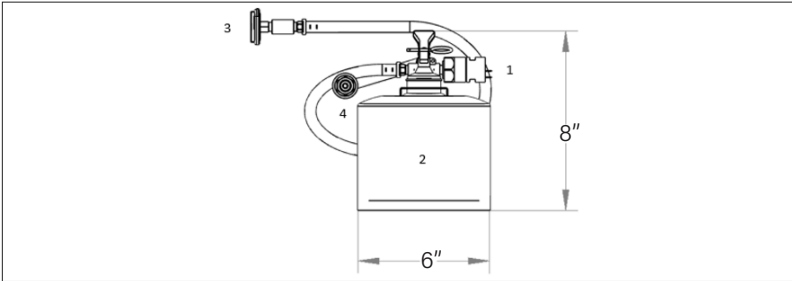
|                  |  |
|------------------|--|
| Type             | Dry Contact  |
| Type of Contacts | Com / NO   |
| Contact Amperage | 5 Amps   |
| Location         | PLC contacts C1 and Y1                                     |
| Activates upon   | Low pressure in tank, and high temp fault (190° F at hood) |

## MICRO-SWITCH SPECIFICATIONS

|                  |                                  |
|------------------|----------------------------------|
| Type             | Dry Contact                      |
| Type of Contacts | Com / NO / NC                    |
| Contact Amperage | 15 Amps                          |
| Location         | Above tank actuation paddle      |
| Activates upon   | Mechanical discharge of the tank |

# SUPPRESSION TANK: -TANK-FC/SA (D1000)

## UNIT DIMENSIONS

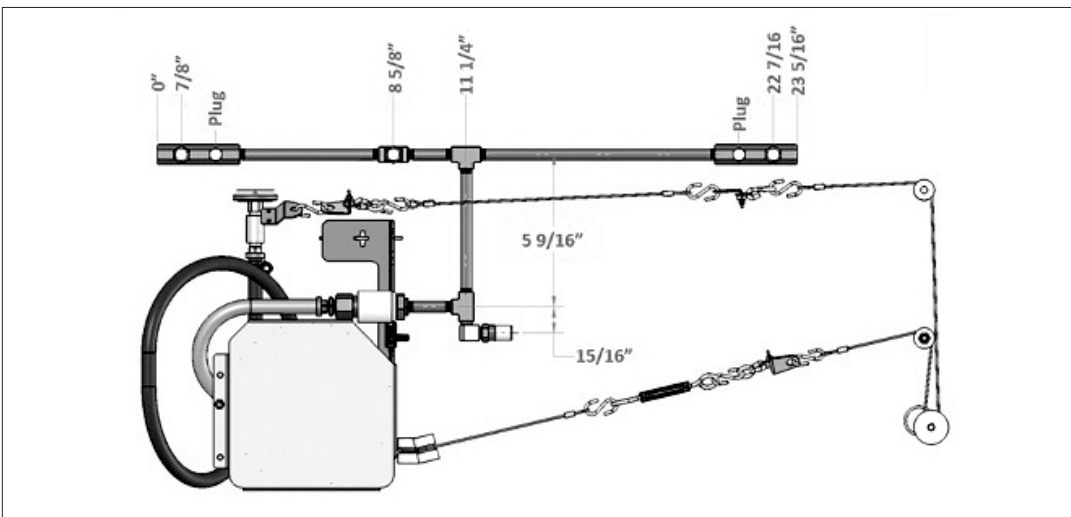


- |   |   |
|---|---|
| 1 | Tank is Equipped with a Pressure Switch which opens on discharge. |
| 2 | Tank is of Stainless Steel Construction.                          |
| 3 | Visual Pressure Gauge.  |
| 4 | Discharge Hose with Quick Connect fitting attached.               |

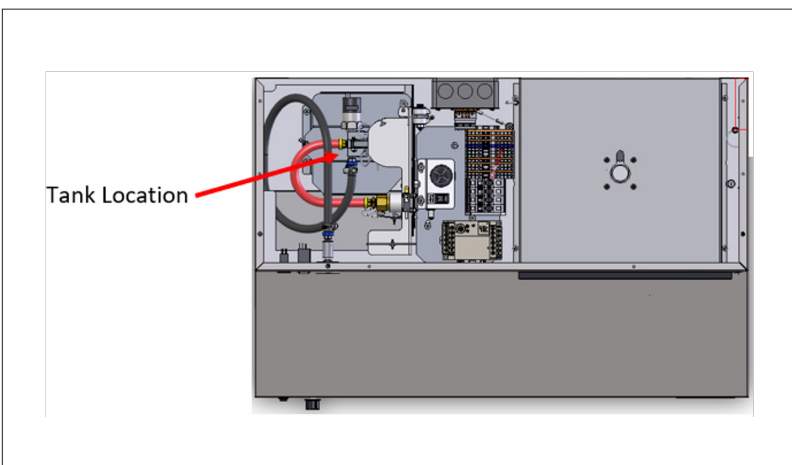
## FC SPECIFICATIONS

|                        |  |
|------------------------|--|
| Type                   | Self Contained Fire Suppression System |
| Compliance             | UL-1995                                |
| Mounting Configuration | Integral to the hood                   |
| Weight                 | 9.4 lbs                                |
| Vessel                 | Stainless Steel                        |
| Chemical Type          | Amerex 660                             |
| Volume                 | 1300 mL                                |
| Chemical Weight        | 2.2 lbs                                |
| Pressure (PSI) +-8%    | 102 PSI                                |
| Height                 | 8 in                                   |
| Width                  | 6 in                                   |

## NOZZLE PLACEMENT (PRE-INSTALLED IN HOOD)



## TANK LOCATION



## SA SPECIFICATIONS

|                        |  |
|------------------------|--|
| Type                   | Self Contained Fire Suppression System |
| Compliance             | UL-1995                                |
| Mounting Configuration | Integral to the hood                   |
| Weight                 | 9.4 lbs                                |
| Vessel                 | Stainless Steel                        |
| Chemical Type          | Amerex 660                             |
| Volume                 | 1300 mL                                |
| Chemical Weight        | 2.2 lbs                                |
| Pressure (PSI) +-8%    | Charge to 102 PSI on site              |
| Height                 | 8 in                                   |
| Width                  | 6 in                                   |